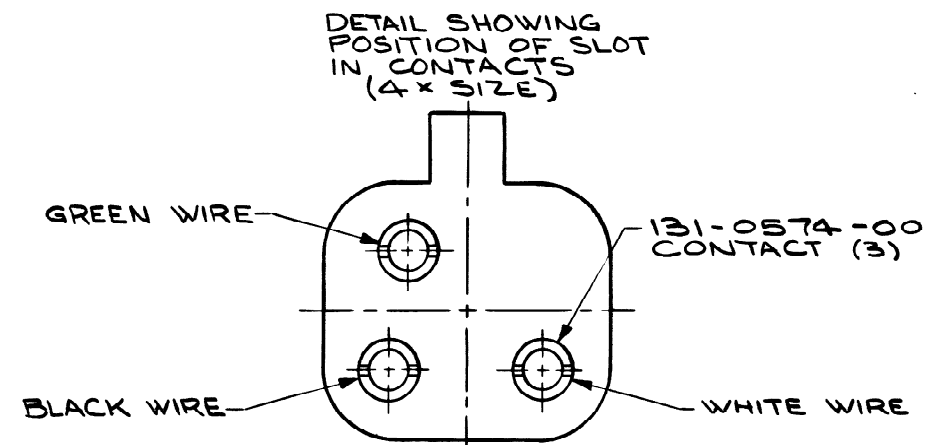
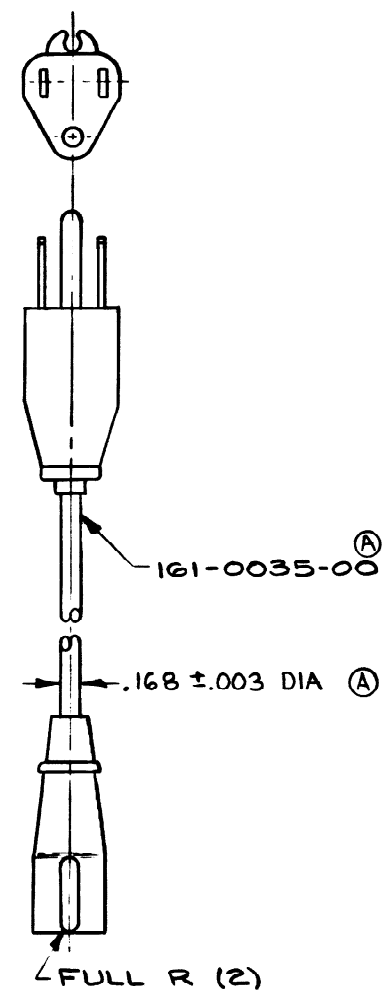


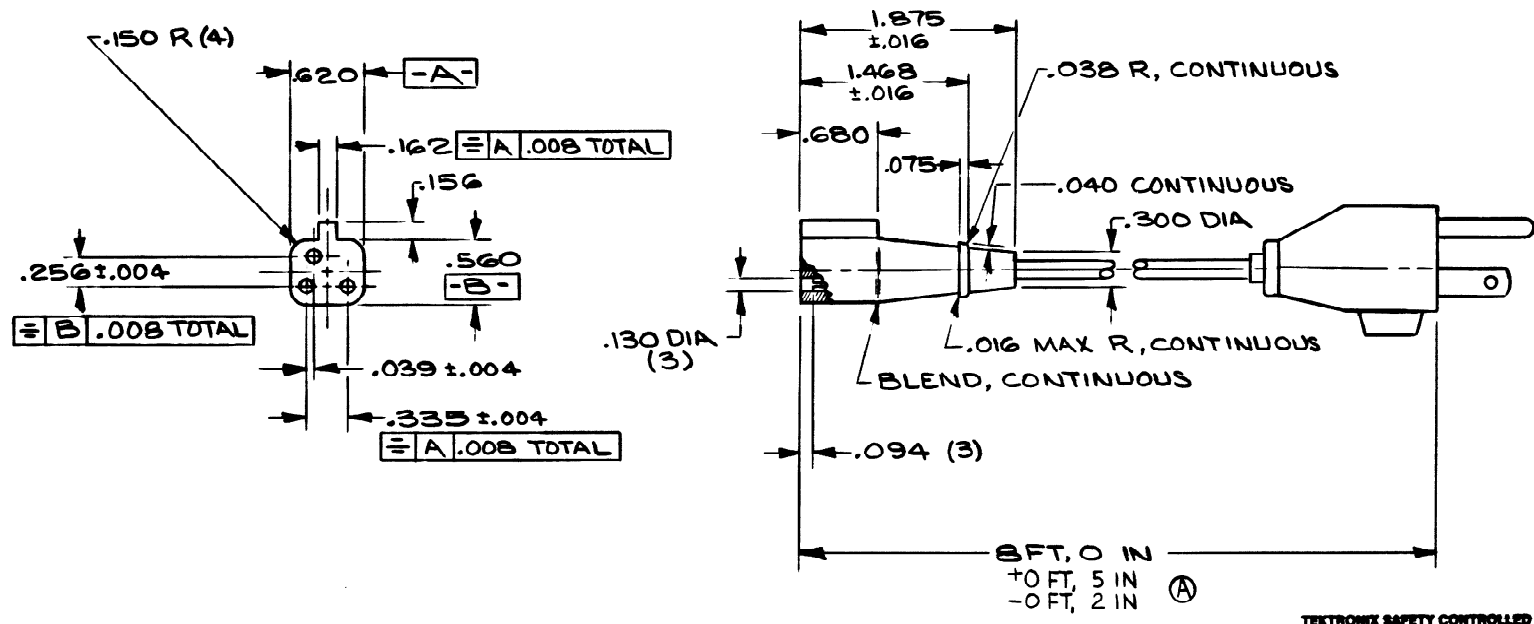
S
9

THIS DRAWING WHEN DISTRIBUTED OUTSIDE TEKTRONIX, INC. IS SUPPLIED FOR IDENTIFICATION, ENGINEERING EVALUATION AND/OR INSPECTION PURPOSES ONLY AND MAY NOT BE USED AS A BASIS FOR MANUFACTURE OR SALES OF PRODUCTS WITHOUT WRITTEN PERMISSION FROM TEKTRONIX, INC. IF THIS DRAWING IS FURNISHED UNDER ANY UNITED STATES GOVERNMENT CONTRACT, IT SHALL NOT BE EITHER RELEASED OUTSIDE THE GOVERNMENT, OR USED, DUPLICATED, OR DISCLOSED IN WHOLE OR IN PART FOR MANUFACTURE OR PROCUREMENT, WITHOUT THE WRITTEN PERMISSION OF TEKTRONIX, INC., EXCEPT FOR: (1) EMERGENCY REPAIR OR OVERHAUL WORK BY OR FOR THE GOVERNMENT, WHERE THE ITEM OR PROCESS CONCERNED IS NOT OTHERWISE REASONABLY AVAILABLE TO ENABLE TIMELY PERFORMANCE OF THE WORK; OR (2) RELEASE TO A FOREIGN GOVERNMENT AS THE INTERESTS OF THE UNITED STATES MAY REQUIRE; PROVIDED THAT IN EITHER CASE THE RELEASE, USE, DUPLICATION OR DISCLOSURE HEREOF SHALL BE SUBJECT TO THE FOREGOING LIMITATIONS. IF THIS DRAWING IS REPRODUCED IN WHOLE OR IN PART, THIS ENTIRE LEGEND BLOCK MUST APPEAR ON ALL REPRODUCED COPIES.

REV	BY	REF	DESCRIPTION OF CHANGE	CHK BY/DATE
A	DT	15961	CHGD SHAPE OF 161-0035-00, MAT WAS 255-0012-00 .168 WAS .156, ± 0.001 IN WAS ± 0.011 IN	21 APR 70
B	LC	14554	ADD NONPROD	29 APR 71
C	LC		REMOVE NONPROD	9 NOV 71
D	RM	20841	NON PROD	9 OCT 73



PART NUMBER
161-0043-00 D



1. FOR SONY/TEK DOMESTIC USE ONLY (D)

NOTES: NONPROD

NAME	DATE	TEKTRONIX, INC. P.O. BOX 500 BEAVERTON, OREGON, U.S.A. 97005
BY <i>Guarino</i>	8-31-67	TOLERANCES: UNLESS OTHERWISE SPECIFIED LINEAR \pm .010 HOLES ANGULAR \pm 2° SCALE FULL FIRST USED ON 323 S/T
CHK <i>DR. SMITH</i>	2-14-68	
ENGR <i>D. ROWNE</i>	8-31-67	
PROD <i>Ray Anns</i>	2-16-68	
MATERIAL 255-0114-00 MOLDING COMPOUND V-80 GREY VINYL 530 (A)		
FINISH PH AS MOLDED		
TITLE CABLE ASST, POWER ELECTRICAL		
SIZE C	CODE IDENT. NO. 80009	PART NUMBER 161-0043-00
		REV D

TEKTRONIX SAFETY CONTROLLED PART
THIS PART IS CONTROLLED TO INSURE MAINTENANCE OF SAFETY CHARACTERISTICS DESIGNED INTO A TEK PRODUCT TO CONTINUE MAINTENANCE ANY CHANGES IN MATERIALS, SPECIFICATIONS, VENDORS OR VENDORS' PART NUMBERS MUST BE EVALUATED AND APPROVED BY THE LINE MANAGER FOR EACH PRODUCT IN WHICH THIS IS A CONTROLLED PART.

DO NOT SCALE DRAWING